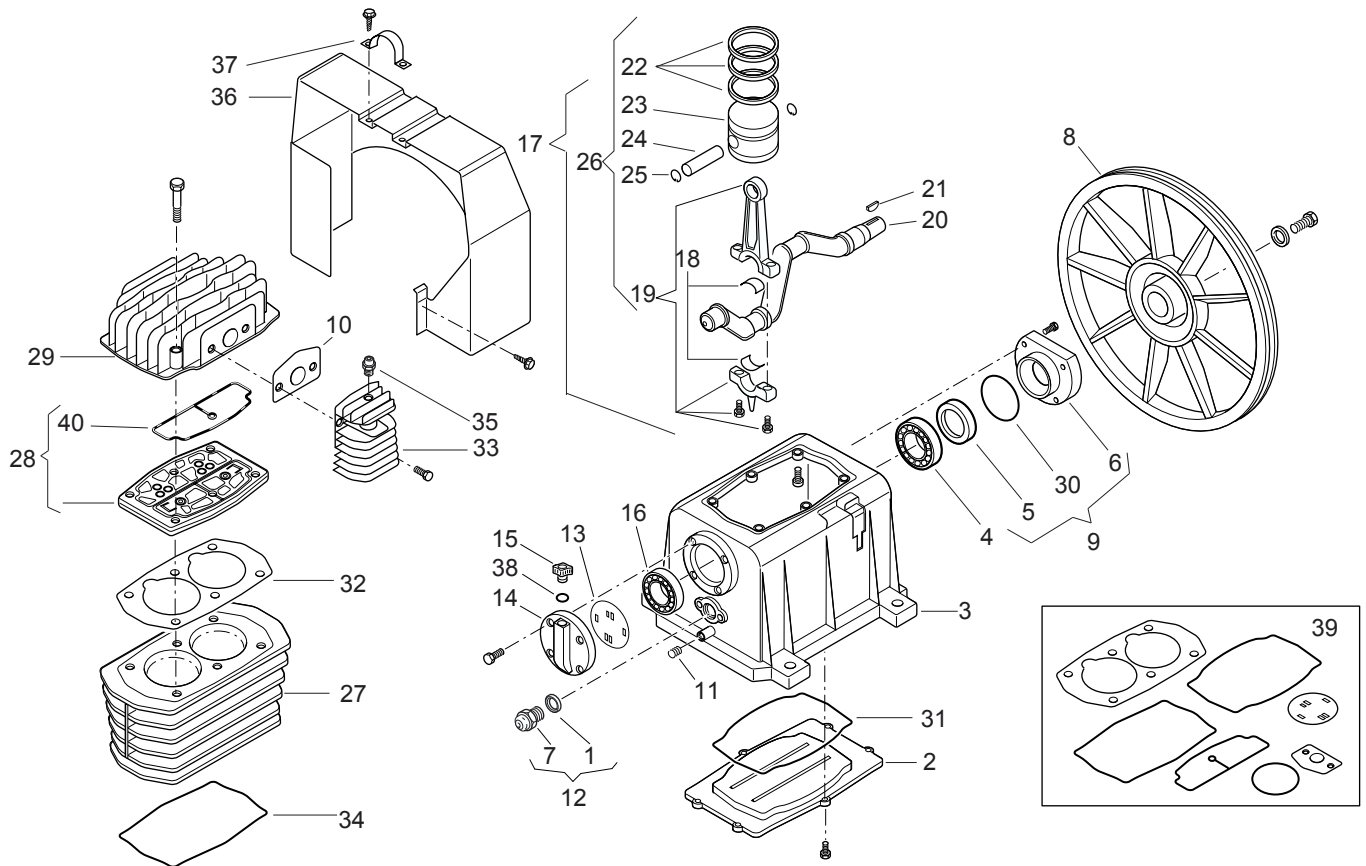


Type: **Belt driven**Model: **MK113 USA-BLACK**Code: **5131640013**Date: **AUG 2010**Version: **01**

Ref.	Q.ty	Code	*	Denomination
------	------	------	---	--------------

1	1	047140001		OIL MIRROR GASKET
2	1	013164008		LOWER COVER
3	1	113164008		CRANKCASE
4	1	033015000		BEARING
5	1	010008000		OIL SEAL
6	1	113165008		FRONT COVER
7	1	012102000		OIL GLASS
8	1	113164021		FLYWHEEL
9	1	413164027		KIT FRONT COVER
10	1	116091017		GASKET
11	1	011001000		PLUG
12	1	012031000		KIT OIL CLASS
13	1	113141021		GASKET NBR
14	1	113141006		END COVER
15	1	012047000		OIL FILLER PLUG
16	1	033027000		BEARING
17	1	413164007		KIT SHAFT-PISTON-CONROD
18	2	113144018		CUSCINETTO BIELLA
19	1	413144011	4	KIT CONROD
20	1	113164012		CRANKSHAFT
21	1	018008000		FEATHER
22	1	213167001	8	KIT PISTON RING
23	1	113164009		PISTON
24	1	116025006		PISTON PIN
25	2	015023000		CIRCLIP

* Suggested parts in percentage



Ref.	Q.ty	Code	*	Denomination
26	2	413164015	4	KIT PISTON-CONROD
27	1	113164001		CYLINDER
28	1	413164006		KIT VALVE
29	1	113164023		HEAD
30	1	010178000		ORING
31	1	113164013		SEAL RING
32	1	113164004		CYLINDER GASKET
33	1	113144035		FINAL AFTER-COOLER
34	1	113164003		SEAL RING
35	1	011158000	2	COLD START VALVE
36	1	113144010		SHROUD
37	1	113164014		EYEBOLT
38	1	010024000		O RING
39	1	213164002	6	SEAL KIT
40	1	113164005		SEAL RING

* Suggested parts in percentage