



J-Air
MODELJ780-HC4V
Operating Instructions & Parts Manual

J780-HC4V -Single Phase, 4 CFM @ 100 PSI

****** NOTE: ADD OIL BEFORE STARTING COMPRESSOR! ******

Add Oil

This unit is shipped **without** oil in crankcase.

- Remove dipstick from oil fill port and fill crankcase with 12 ounces of the initial oil fill included in carton and reinstall dipstick. *Oil level should not exceed top raised line on dipstick!*. Use only a high quality compressor oil.

Operation

- The *on/off* lever is located on the top of the pressure switch and should always be used to turn off power to the motor, as this automatically relieves high pressure air from the discharge line.
- The pressure switch is factory set to start the compressor at 100 PSI and stop the compressor at 130 PSI. (Maximum pressure 130 PSI)
- After unit has reached 130 PSI , outlet air pressure can be adjusted by using the knob on the air pressure regulator. Turn knob clockwise to increase, counterclockwise to decrease outlet pressure to your desired setting while reading regulator gauge.
- The recommended operating position of the compressor is on a level surface. For temporary use, the compressor may be tilted 10° to left or right as viewed from the end of the tank.
- The electric motor is provided with overload protection. Should the unit stop unexpectedly; (1) check supply voltage, (2) check oil level, (3) check tank air pressure (not to exceed 130 PSI). Turn the unit off using the lever on the pressure switch, then reset the motor overload switch.

Maintenance

- **DAILY** -check crankcase oil level and drain condensation from air tank(s).
- **WEEKLY** -examine the intake filter element, clean or replace as necessary.

Warranty

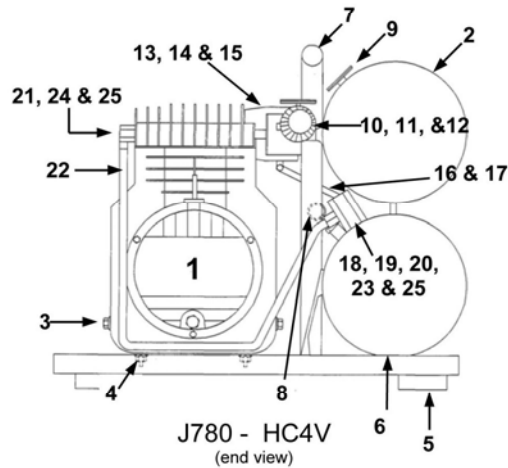
J-Air compressors are warranted to be free from defects in material and workmanship under normal use for a period of 12 months from date of installation or 15 months from date of shipment, whichever comes first. Liability is limited to repair or replacement of material found defective, free of charge F. O. B. factory. Unauthorized repairs or replacement will not be subject to factory warranty.



J-Air
MODEL J780-HC4V
 Operating Instructions & Parts Manual

HAND CARRY PARTS LIST

Parts orders should include compressor model, serial number, and part number(s).



Ref. #	Part #	Description	Ref. #	Part #	Description
1	112273	Pump/Motor Assembly	14	111340-1	Strain Relief
2	111322-1	Tank Assembly	15	111341-1	Cord Set, 14/3 x 6'
3	111334-1	Saddle	16	111342-1	1/4" Unloader Tube
4	111335-1	1/4-20 X 3/4 Screw	17	111349-1	Tube Insert
5	111336-1	Foot Pad	18	111248-1	1/8" NPT x 1/4" Compression Connector
6	111252-1	Drain Valve, 1/4" NPT (not shown)	19	111766	Check Valve
7	111337-1	Hand Grip	20	111343-1	Cold Start Valve, 1/8" NPT
8	111253-1	Safety Valve, 1/4" NPT 165 PSI	21	111344-1	3/8" Compression Sleeve
9	111279-1	Pressure Gauge, 1/4" NPT	22	111351-1	3/8" Aftercooler
10	111338-1	Regulator, 1/4" NPT	23	111345-1	3/8" x 3/8" Compression Connector
11	111294-1	Pressure Gauge 1/8" NPT	24	111347-1	3/8" Compression Elbow
12	111339-1	1/4" x Close Nipple	25	111346-1	3/8" Compression Nut, Long
13	111348-1	Pressure Switch			

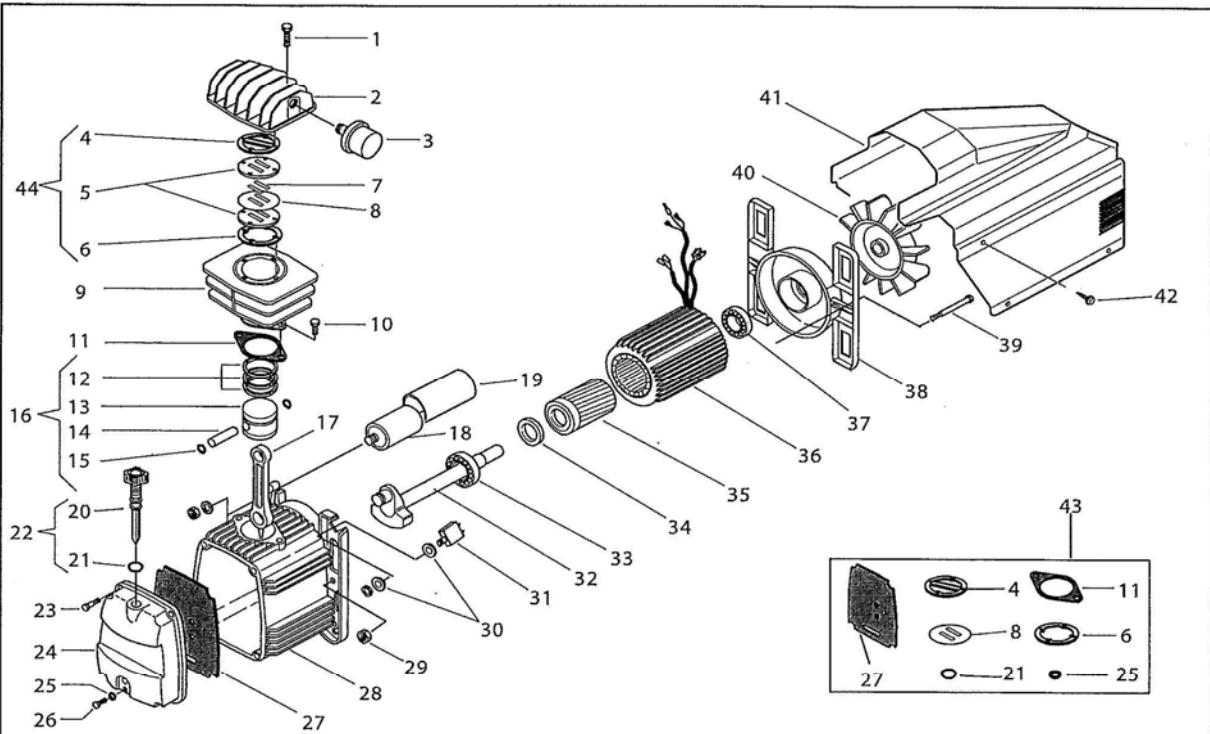


Model: **MK246 CSA 120V/60Hz**

Code: **516QC11652**

Date: **NOV 2008**

Version: **00**



Ref.	Q.ty	Code	*	Denomination
1	4	014002021		SCREW
2	1	116022002		HEAD
3	1	317007000	10	INTAKE FILTER
4	1	116022009		HEAD GASKET
5	2	116022013	12	VALVE PLATE
6	1	116022010		CYLINDER GASKET
7	2	116022038		VALVE BLADE
8	1	116022012		VALVE GASKET
9	1	116093009		CYLINDER
10	2	014011064		SCREW
11	1	116091016		CRANKCASE GASKET
12	1	216022002	4	PISTON RING KIT
13	1	116022004		PISTON
14	1	116022040		PISTON PIN
15	2	015001000		CIRCLIP
16	1	416022004	2	COMPLETE PISTON
17	1	116091021	2	CONROD
18	1	009200075		CAPACITOR
19	1	116034013		CAPACITOR COVER
20	1	012043000		OIL DIPSTICK
21	1	010024000		O-RING
22	1	312043000	2	DIPSTICK ASSEMBLY
23	4	014013021		SCREW
24	1	116091002		COVER
25	1	010072000		O-RING 2031

* Suggested parts in percentage



Ref.	Q.ty	Code	*	Denomination
26	1	014013024		SCREW
27	1	116091011		COVER GASKET
28	1	116091001		CRANKCASE
29	2	014003002		NUT
30	2	014005009		WASHER
31	1	008331000	2	OVERLOAD CUT-OUT
32	1	116022011		CRANKSHAFT
33	1	033027000		BEARING 6205
34	1	010029000		OIL SEAL
35	1	116092003		ROTOR
36	1	SM000628	1	STATOR+WINDING
37	1	033118000		BEARING
38	1	116011002		END COVER
39	2	116011038		SCREW
40	1	116001003		FAN
41	1	116QC0001	1	SHROUD
42	2	014006121		TAPPING SCREW
43	1	216093003	6	GASKETS KIT
44	1	216093004	6	VALVE KIT

* Suggested parts in percentage