



J-Air Compressors
MODELJ390-HC2V
Single Phase, 2.6 CFM @ 100 PSI

OPERATION & PARTS MANUAL

****** NOTE: ADD OIL BEFORE STARTING COMPRESSOR! ******

Add Oil

This unit is shipped **without** oil in crankcase.

- Remove dipstick from oil fill port and fill crankcase with 12 ounces of the initial oil fill included in carton and reinstall dipstick. *Oil level should not exceed top raised line on dipstick!*. Use only a high quality compressor oil.

Operation

- The *on/off* lever is located on the top of the pressure switch and should always be used to turn off power to the motor, as this automatically relieves high pressure air from the discharge line.
- The pressure switch is factory set to start the compressor at 100 PSI and stop the compressor at 130 PSI. (Maximum pressure 130 PSI)
- After unit has reached 130 PSI , outlet air pressure can be adjusted by using the knob on the air pressure regulator. Turn knob clockwise to increase, counterclockwise to decrease outlet pressure to your desired setting while reading regulator gauge.
- The recommended operating position of the compressor is on a level surface. For temporary use, the compressor may be tilted 10° to left or right as viewed from the end of the tank.
- The electric motor is provided with overload protection. Should the unit stop unexpectedly; (1) check supply voltage, (2) check oil level, (3) check tank air pressure (not to exceed 130 PSI). Turn the unit off using the lever on the pressure switch, then reset the motor overload switch.

Maintenance

- **DAILY** -check crankcase oil level and drain condensation from air tank(s).
- **WEEKLY** -examine the intake filter element, clean or replace as necessary.

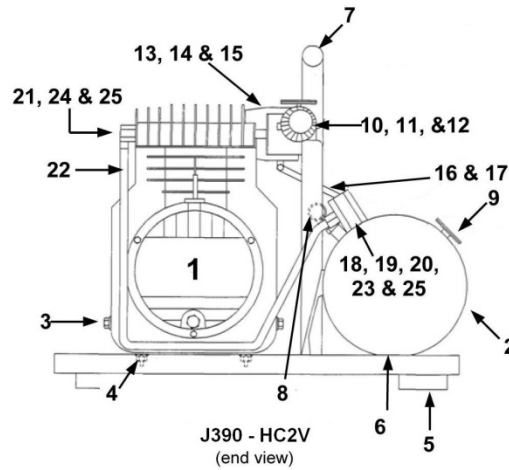
Warranty

J-Air compressors are warranted to be free from defects in material and workmanship under normal use for a period of 12 months from date of installation or 15 months from date of shipment, whichever comes first. Liability is limited to repair or replacement of material found defective, free of charge F. O. B. factory. Unauthorized repairs or replacement will not be subject to factory warranty.



HAND CARRY PARTS LIST

Parts orders should include compressor model, serial number, and part number(s).



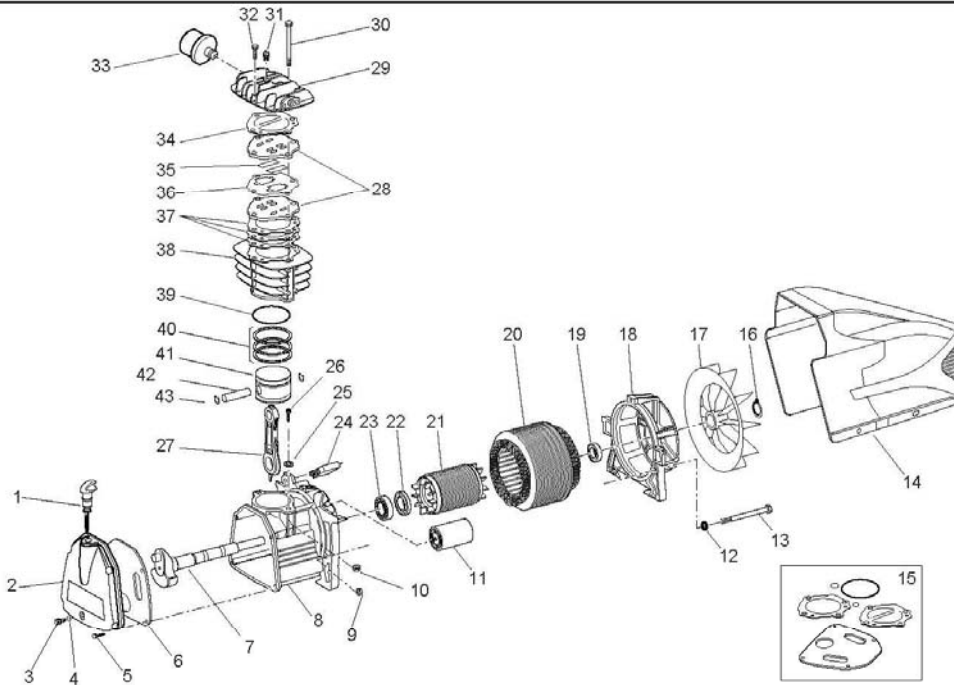
Ref. #	Part #	Description	Ref. #	Part #	Description
1	112572	Pump/Motor Assembly	14	111340-1	Strain Relief
2	111322-1	Tank Assembly	15	111341-1	Cord Set, 14/3 x 6'
3	111334-1	Saddle	16	111342-1	1/4" Unloader Tube
4	111335-1	1/4-20 X 3/4 Screw	17	111349-1	Tube Insert
5	111336-1	Foot Pad	18	111248-1	1/8" NPT x 1/4" Compression Connector
6	111252-1	Drain Valve, 1/4" NPT (not shown)	19	111766	Check Valve
7	111337-1	Hand Grip	20	111343-1	Cold Start Valve, 1/8" NPT
8	111253-1	Safety Valve, 1/4" NPT 165 PSI	21	111344-1	3/8" Compression Sleeve
9	111279-1	Pressure Gauge, 1/4" NPT	22	111351-1	3/8" Aftercooler
10	111338-1	Regulator, 1/4" NPT	23	111345-1	3/8" x 3/8" Compression Connector
11	111294-1	Pressure Gauge 1/8" NPT	24	111347-1	3/8" Compression Elbow
12	111339-1	1/4" x Close Nipple	25	111346-1	3/8" Compression Nut, Long
13	111348-1	Pressure Switch			



Model: **MK137** 115V/60Hz CSA

Date: **OCT 2008**

Version: **02**



Ref.	Q.ty	Code	*	Denomination
1	1	312043000	2	OIL DIPSTICK
2	1	016120003		COVER
3	1	014013024		SCREW
4	1	010072000		O RING
5	4	014006024		SCREW
6	1	116120030		GASING COVER GASKET
7	1	116CP0001		CRANKSHAFT
8	1	116120006		CRANKCASE
9	3	161190010		NUT
10	2	014003018		NUT
11	1	009200015	2	CAPACITOR
12	3	014008020		LOCKWASHER
13	3	014002125		SCREW
14	1	116CN0014		SHROUD
15	1	216CN0001	6	GASKETS SET
16	1	015083000		CIRCLIP
17	1	116120008		FAN
18	1	116120007		REAR COVER
19	1	033118000		BEARING
20	1	316CP1641	1	WOUND CASING
21	1	116022026		ROTOR
22	1	010132000		SEAL RING
23	1	033082000		BEARING
24	1	008426000	2	OVERLOAD COUOUT
25	1	014008006		LOCKWASHER
26	1	014013001		TAPPING SCREW

* Suggested parts in percentage

Ref.	Q.ty	Code	*	Denomination
27	1	116121005	2	CONNECTING ROD
28	2	116CN0030		VALVE PLATE
29	1	116CN0013		HEAD
30	2	014001075		SCREW
31	1	011000183		COLD START VALVE
32	2	014002026		SCREW
33	1	317081000	4	INTAKE FILTER
34	1	116CN0050		HEAD GASKET
35	2	116022038		VALVE BLADE
36	1	116CN0051		VALVE GASKET
37	3	116HT0005		CYLINDER GASKET
38	1	116CN0015		CYLINDER
39	1	010133000		O RING
40	1	216022002	4	PISTON RING SET
41	1	116022004		PISTON
42	1	116022040		PISTON PIN
43	2	015001000		CIRCLIP

* Suggested parts in percentage