



195 Jari Drive
Johnstown, PA 15904

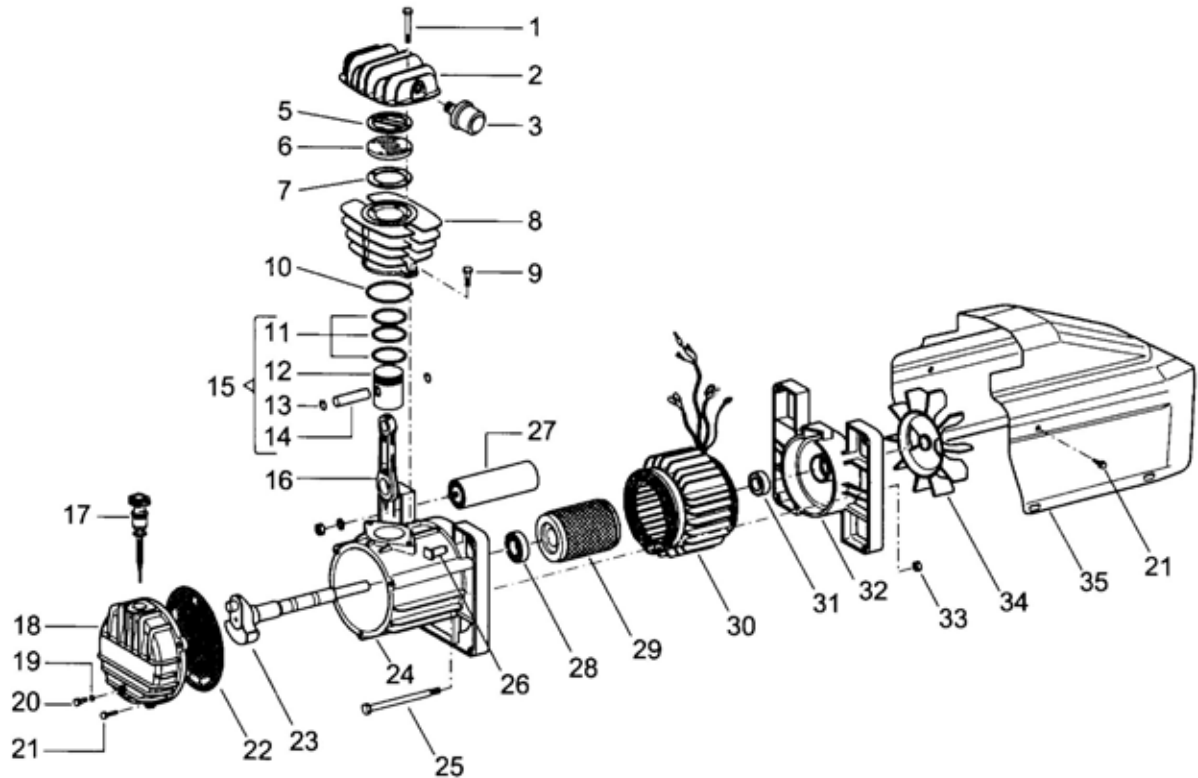
Type: Coaxial

Model: J-200

Code: 516GH33641

Date: September 2001

Revision: 02



Ref.	Qty.	Part #	Description	Ref.	Qty.	Part #	Description
1	4	014002021	M6X45 8.8 SCREW	19	1	010072000	O-RING
2	1	116001005	HEAD	20	1	014013024	M6X10 SELF THREADING SCREW
3	1	317007000	INTAKE FILTER	21	5	014006121	2X13 SCREW
5	1	116022009	HEAD SEAL	22	1	116001025	COVER SEAL
6	1	116022100	VALVE PLATE	23	1	116032006	CRANKSHAFT
7	1	116022022	CYLINDER SEAL	24	1	116022051	CASING COVER
8	1	116001004	CYLINDER	25	2	116011038	M6X130 SCREW
9	2	014011064	M8X20 SCREW	26	1	008055000	OVERLOAD CUTOUT
10	1	010114000	O-RING	27	1	009200035	FILM CONDENSER
11	1	216022002	PISTON RING KIT	28	1	033078000	6205-2RS BEARING
12	1	116022004	PISTON	29	1	116032008	ROTOR
13	2	015001000	PIN RETAINING RING	30	1	416033641	WOUND CASING
14	1	116022040	WRIST PIN	31	1	033005000	6203-2Z BEARING
15	1	416022004	COMPLETE PISTON	32	1	116011002	COVER
16	1	116091021	CONNECTING ROD	33	2	014003002	M6 NUT
17	1	012008000	OIL DIPSTICK	34	1	116001003	FAN
18	1	016032014	CASING COVER	35	1	116001002	HOUSING

84 Iron Street, Johnstown, PA 15907

Phone: 814.467.7073 • Fax: 814.467.7022

support@jaircompressors.com